

1000V Three-phase On-grid String Inverter

SPI100K~125K-B Series



Product Features

High efficient

- Advanced three-level technology max. efficiency 98.8%
- 9/6 MPPTs design, compatible with large current / bifacial modules
- High power tracking density @ 400Vac system

System optimization

- DC 2 in 1 connection enabled and compatible with AL AC cables
- PLC communication optional, save cable investment
- Night SVG and quick response

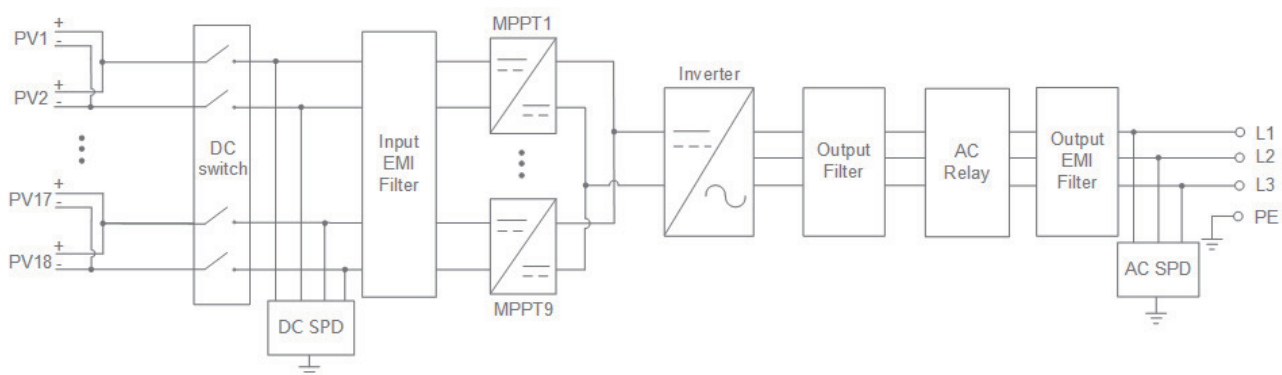
Safe and reliable

- IP66 and C5 anti-corrosion grade, intelligent fan with IP68 protection
- AFCI protection and fire protection, proactively reduces fire risk
- Anti-PID and PID recovery function

Intelligent management

- Intelligent I-V and fault wave recording, quick failure analysis
- Smart online upgrade, easy for system maintenance
- Capacitor detection and life prediction reduce the failure risk

Function Diagram



Technical Specification

Items	SPI100K-B	SPI110K-B	SPI125K-B
DC Input (PV)			
Max. PV input voltage	1100Vdc		
Rated nput voltage	600Vdc		
Max. PV input current	9×30A/6×40A		
No. of MPPTs	9/6		
No.of PV strings per MPPT	2		
MPPT voltage range	200~1000Vdc		
Starting voltage	250Vdc		
DC switch	Yes		
AC Output (On-grid)			
Rated AC output power	100kW	110kW	125kW
Max. output power	110kVA	121kVA	137.5kVA
Rated AC output voltage	400Vac		
Rated output current	144.3A	158.8A	180.4A
Max. output current	158.8A	174.7A	198.5A
Rated grid frequency	50/60Hz		
Grid frequency range	45~55Hz/55~65Hz		
Power factor	>0.99 (rated power)		
Adjustable power factor	0.8 (leading)~0.8 (lagging)		
THDi	<3% (rated power)		
Efficiency			
Max. efficiency	98.80%		
European efficiency	98.50%		
MPPT efficiency	99.90%		
Function and protection			
Anti-islanding	Yes		
DC (PV) reversed connection	Yes		
AC short circuit protection	Yes		
Temperature protection	Yes		
Surge protection	DC Type II & AC Type II		
AFCI function	Yes (optional)		
Integrated PID function	Yes (optional)		
IV curve scan and diagnosis	Yes (optional)		
Support night SVG function	Yes (optional)		
General			
Dimensions (W×H×D)	1030×610×345mm		
Weight	80kg		
IP grade	IP66		
Self-consumption at night	<2W		
Cooling type	Intelligent forced air cooling		
Altitude	4000m (>3000m derating)		
Operating temperature	-35~60°C		
Relative humidity	0~100%		
Display	LED+APP		
DC terminal	MC4 Terminal		
AC terminal	OT Terminal		
Installation method	Wall-mounted		
Communication	RS485, PLC (optional), WIFI(optional)/GPRS (optional), Bluetooth (optional)		
Certification	IEC/EN62109-1, IEC/EN62109-2, EN61000, IEC61683, IEC62116, IEC61727, CEI0-16, EN50549-1, UTC C15-712-3, VDE0126-1-1, VFR2019, Enedis-NOI-RES_20E		

- Specifications are subject to change without prior notice.

Kehua Digital Energy

Add: No. 457, Malong Road, Torch High-Tech Industrial Zone, Xiamen Fujian China

Tel: +86-592-5160516 Fax: +86-592-5162166 www.kehua.com

